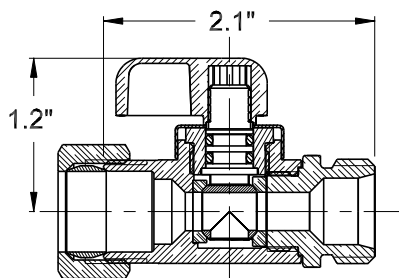
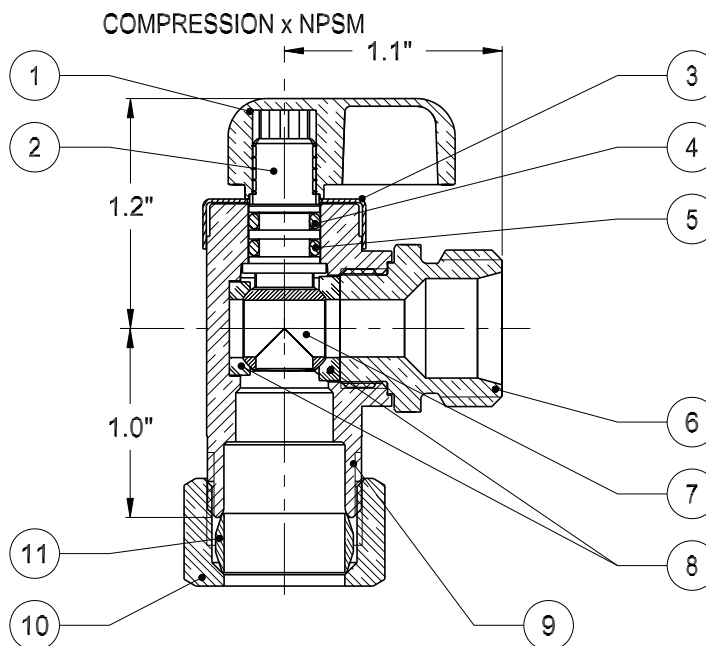


# dahl-ECO mini-ball™ Valve

Lead-Free Compliant - Plumbing



#511-33-05  
For Brass Finish Specify #521-33-05  
Cv=approx. 3.0



#611-33-05  
5/8 OD Compression x 1/2 NPSM  
For Brass Finish Specify #621-33-05  
Cv=approx. 1.8

MAX. WIDTH	With Handle	= 1.5"
	Loose Key with Screwdriver Slot	= 1.2"

Text Below Represents Plated Finish

- |   |   |
|---|---|
| 1. Handle - Nickel Plated Zinc          | 7. Ball - Plated Brass  |
| 2. Spindle - Nickel Plated Brass        | 8. Seals - PTFE   |
| 3. Stop Cap - Nickel Plated Brass       | 9. Body with Integral End - 5/8 OD Compression -<br>Chrome Plated Brass |
| 4. O-Ring - EPDM                        | 10. Nut - 5/8 OD Compression - Plated Brass                             |
| 5. O-Ring - Fluorocarbon (FKM)          | 11. Tapered Sleeve - Brass  |
| 6. End - 1/2 NPSM - Nickel Plated Brass |   |

Working Pressure: 250 psi / 250°F  
depending on pipe material.

 , UPC®  
NSF / ANSI 61-G  
NSF / ANSI 372

Designed and Manufactured in  
Canada

Also available: Loose Key with Screwdriver Slot operation



## dahl brothers canada limited

2600 S. SHERIDAN WAY, MISSISSAUGA, ON, CANADA L5J 2M4  
905-822-2330 CAN 800-268-5355 U.S. 800-268-2363  
FAX(905) 855-1450, USA AND CANADA 800-226-1801  
[sales@dahlvalve.com](mailto:sales@dahlvalve.com) [www.dahlvalve.com](http://www.dahlvalve.com)

We reserve the right to alter prices and/or technical details without notice